

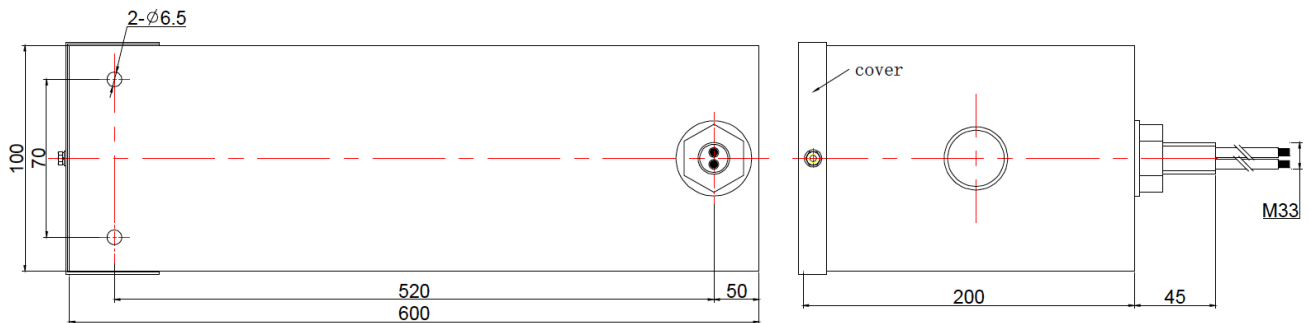
# DATASHEET

## (POWER LINE EMI FILTER, Type: TPF101C-63-400Hz-C1)

1. Type: TPF101C-63-400Hz-C1

### 2. Dimensions (mm):

600x100x200mm (LXHXW)



### 3. Net Weight:

16 kg

### 4. Technical Data:

- ① Rated Voltage: 277VAC
- ② Operating Frequency: 0-400 Hz
- ③ Rated Current: 1 x 63 A
- ④ According to MIL-STD-461
- ⑤ Climatic Category: 25/085/21

400Hz series filters can fully make sure the chamber meets CE101&CE102 clauses of MIL-STD-461G.

### 5. Assembly Parts:

- ① M33 Conduit Screw: 1pc
- ② Gasket 33: 1pc
- ③ M33 Screw Nut: 1pc
- ④ Cable Gland M32: 1pc
- ⑤ Certificate: 1pc

6. Installation Diagram :

