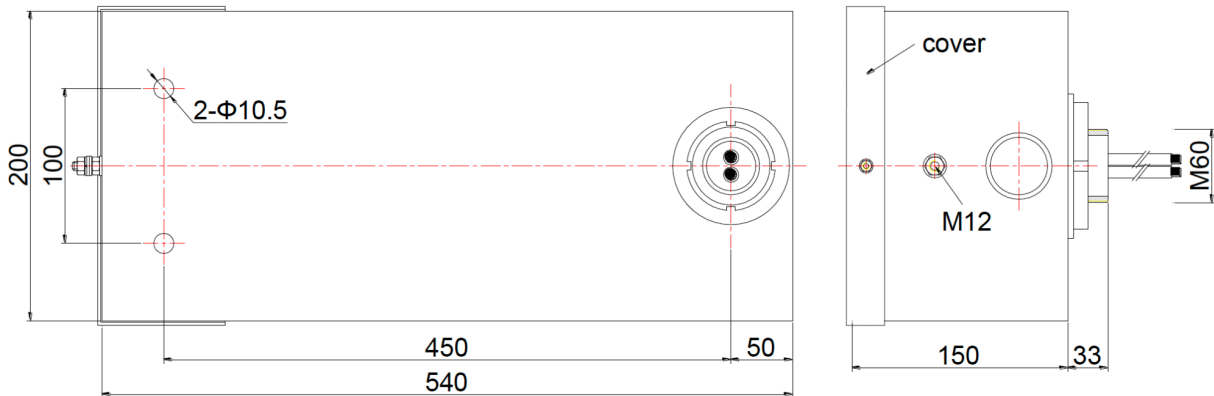


DATASHEET

(POWER LINE EMI FILTER, TPF201A-100)

1. Type: TPF201A-100

2. Dimensions (mm):



3. Technical Data :

- ① Rated Voltage: 250VAC/500VDC
- ② Operating Frequency: 0-60Hz
- ③ Rated Current: 100 A
- ④ Shielding Effectiveness: 100dB, 150kHz-40GHz
- ⑤ Climatic Category: 25/085/21

4. Assembly Parts :

- ① M60Conduit Screw: 1pc
- ② Gasket 60: 1pc
- ③ M60Screw Nut: 1pc
- ④ EMI Gasket60: 1pc
- ⑤ Certificate: 1pc

5. Installation Diagram :

