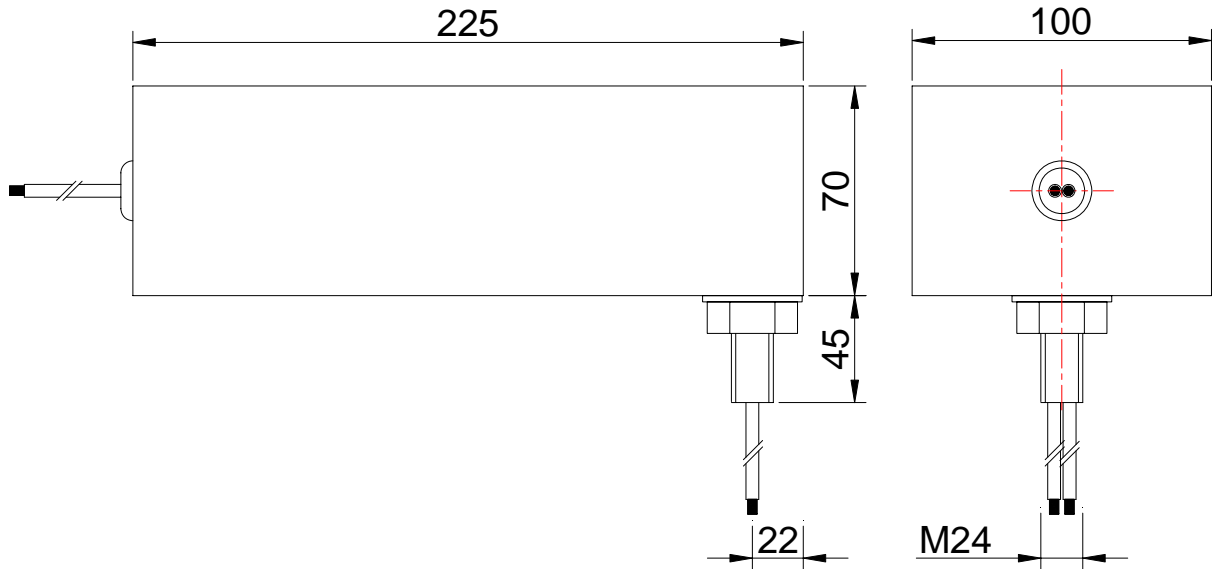


# Power Line EMI Filter

1. Type: TPF203A-32/ELCB
2. Dimensions: (mm) NET. 4KG



### 3. Technical Data:

- ① Rated Voltage: 250VAC/500VDC    ② Operating Frequency: 0-60Hz
- ③ Rated Current: 32A                  ④ Shielding Effectiveness: 100dB, 14kHz-40GHz
- ⑤ Climatic Category: 25/085/21

- ### 4. Assembly Parts:
- ① M24 Conduit Screw: 1pc    ② Gasket 24: 1pc
  - ③ M24 Screw Nut: 1pc        ④ EMI Gasket 24: 1pc
  - ⑤ Certificate: 1pc

### 5. Installation Diagram:

