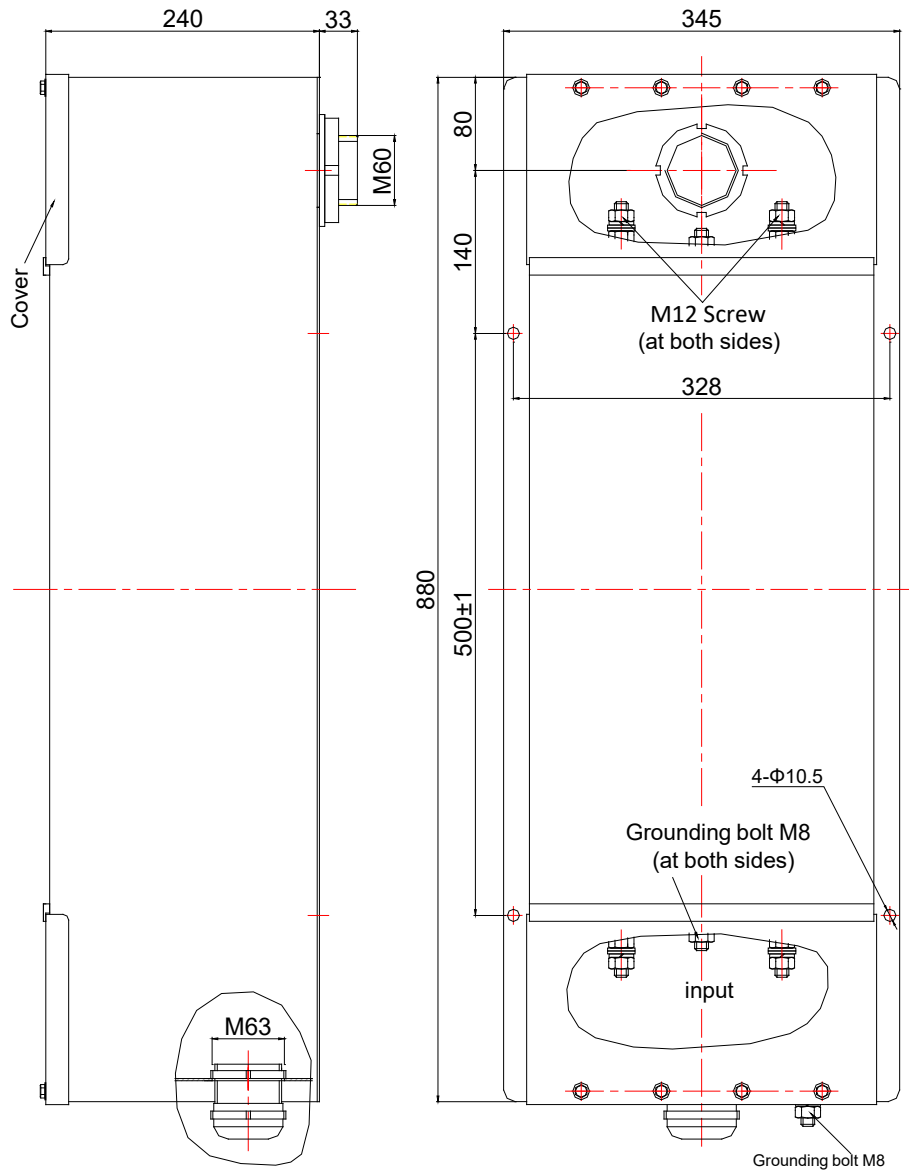


# Power Line EMI Filter

1. Type: TPF282A-200/1000VDC

2. Dimensions: (mm) NET.58kg



# TESTUPS

## 3. Technical Data:

① Rated Voltage: 1000VDC

② Rated Current: 2x200A

③ Insertion Loss: 100dB, 150kHz-40GHz

④ Climatic Category: 25/085/21

## 4. Assembly Parts:

① M60 Conduit Screw: 1pc

② Gasket 60: 1pc

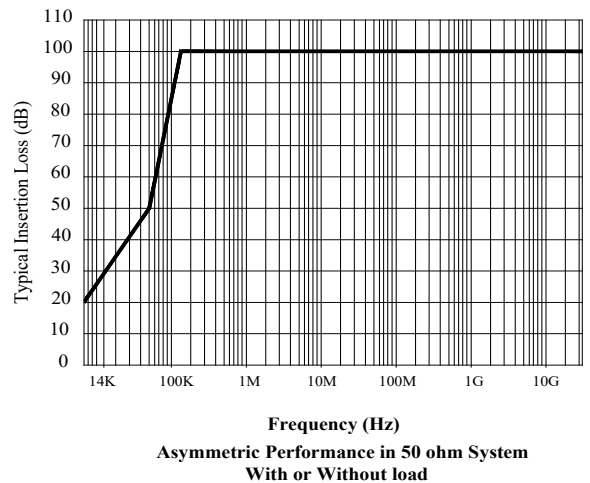
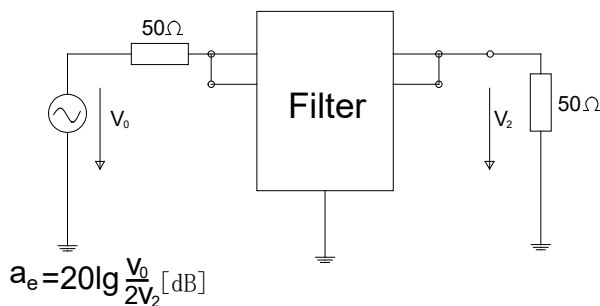
③ M60 Screw Nut: 1pc

④ EMI Gasket 60: 1pc

⑤ Cable Gland M63: 1pc

⑥ Certificate: 1pc

## 5. Typical Insertion Loss Performance Curve (acc. to MIL-STD-220)



1) According to MIL-STD 285

## 6. Installation Diagram:

