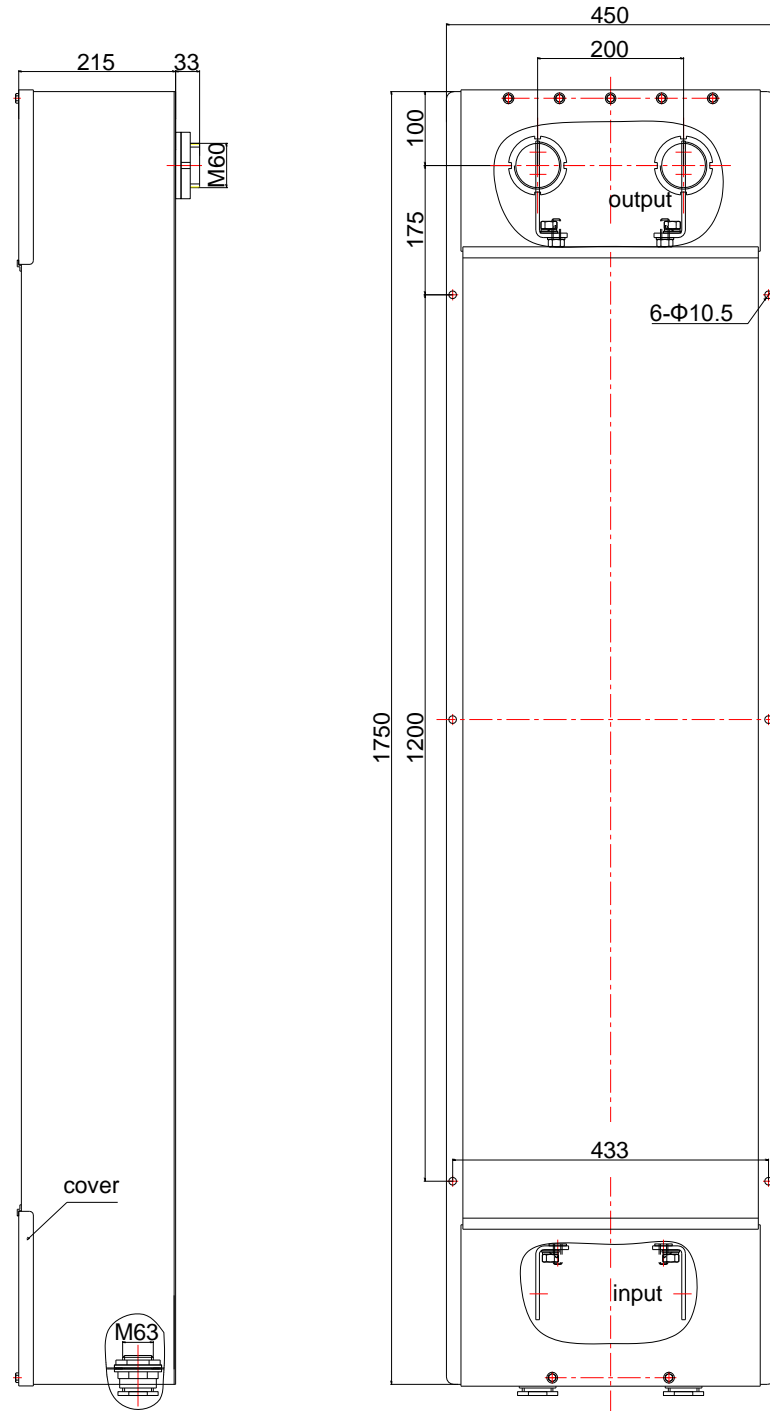


# Power Line EMI Filter

1. Type: TPF282C-400

2. Dimensions: (mm)



# TESTUPS

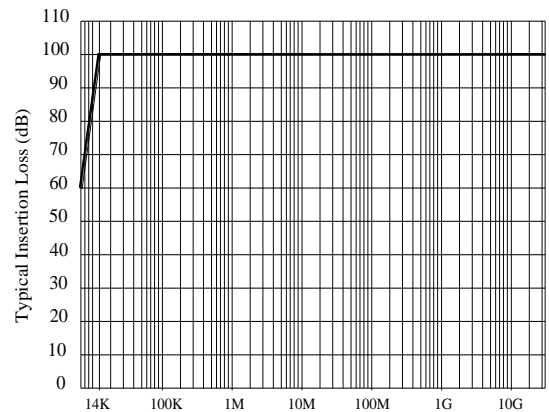
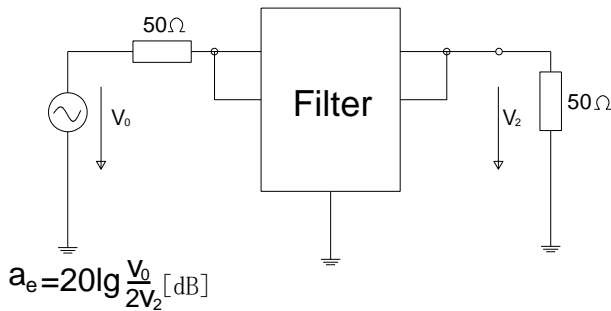
## 3. Technical Data:

- ① Rated Voltage: 250VAC/500VDC
- ② Operating Frequency: 0~60HZ
- ③ Rated Current: 400A
- ④ Insertion Loss: 100dB, 14kHz-40GHz
- ⑤ Climatic Category: 25/070/21

## 4. Assembly Parts:

- ① M60 Conduit Screw: 2pc
- ② Gasket 60: 2pc
- ③ M60 Screw Nut: 2pc
- ④ EMI Gasket 60: 2pc
- ⑤ Cable Gland M63: 2pc
- ⑥ Certificate: 1pc

## 5. Typical Insertion Loss Performance Curve (acc. to MIL-STD-220)



Frequency (Hz)  
Asymmetric Performance in 50 ohm System  
With or Without load

1) According to MIL-STD 285

## 6. Installation Diagram:

