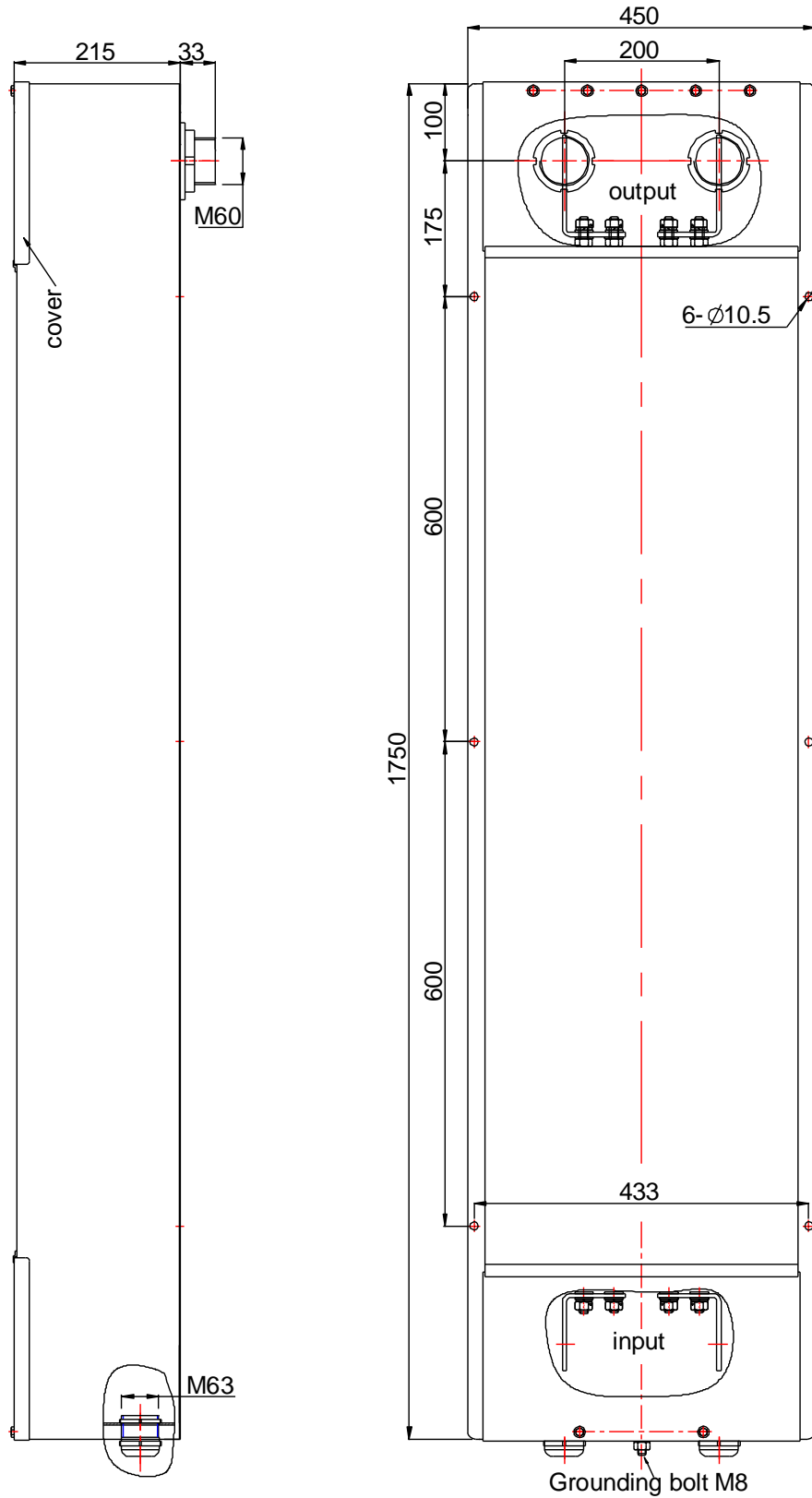


Power Line EMI Filter

1. Type: TPF282C-500/1500VDC

2. Dimensions: (mm)



TESTUPS

3. Technical Data:

① Rated Voltage: 1500VDC

② Rated Current: 500A

③ Insertion Loss: 100dB, 14kHz-40GHz

④ Climatic Category: 25/085/21

4. Assembly Parts:

① M60 Conduit Screw: 2pc

② Gasket 60: 2pc

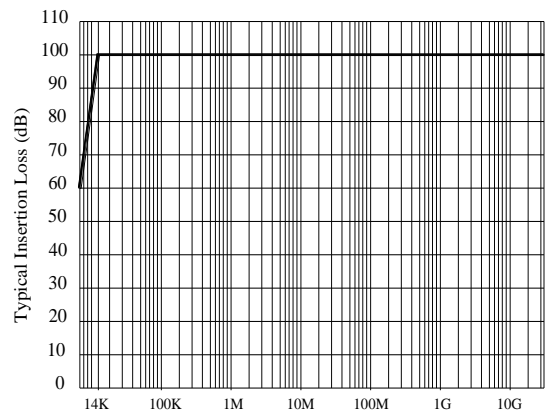
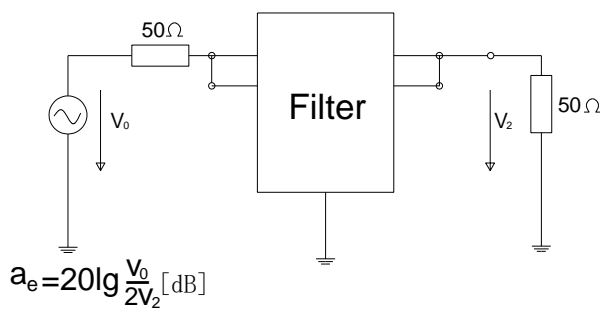
③ M60 Screw Nut: 2pc

④ EMI Gasket 60: 2pc

⑤ Cable Gland M63: 2pc

⑥ Certificate: 1pc

5. Typical Insertion Loss Performance Curve (acc. to MIL-STD-220)



Frequency (Hz)
Asymmetric Performance in 50 ohm System
With or Without load

1) According to MIL-STD 285

6. Installation Diagram:

