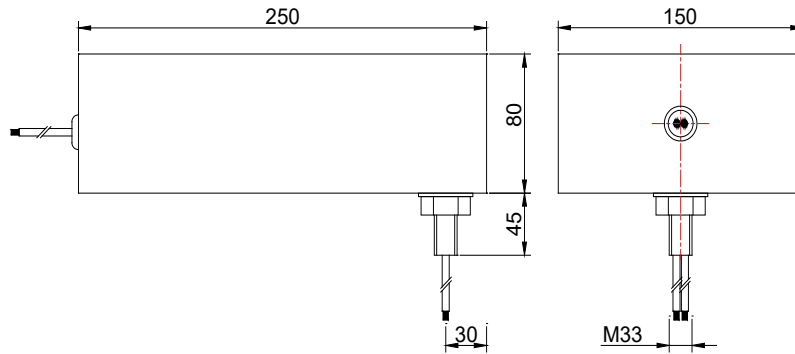


Power Line EMI Filter

1. Type: TPF403A-32/ELCB

2. Dimensions: (mm) NET.10kg



3. Technical Data:

① Rated Voltage: 480VAC/277VAC

② Operating Frequency: 0-60Hz

③ Rated Current: 4x32A +PE

④ Shielding Effectiveness: 100dB, 150kHz-40GHz

⑤ Climatic Category: 25/085/21

4. Assembly Parts:

① M33 Conduit Screw: 1pc

② Gasket 33: 1pc

③ M33 Screw Nut: 1pc

④ EMI Gasket 33: 1pc

⑤ Certificate: 1pc

5. Installation Diagram:

