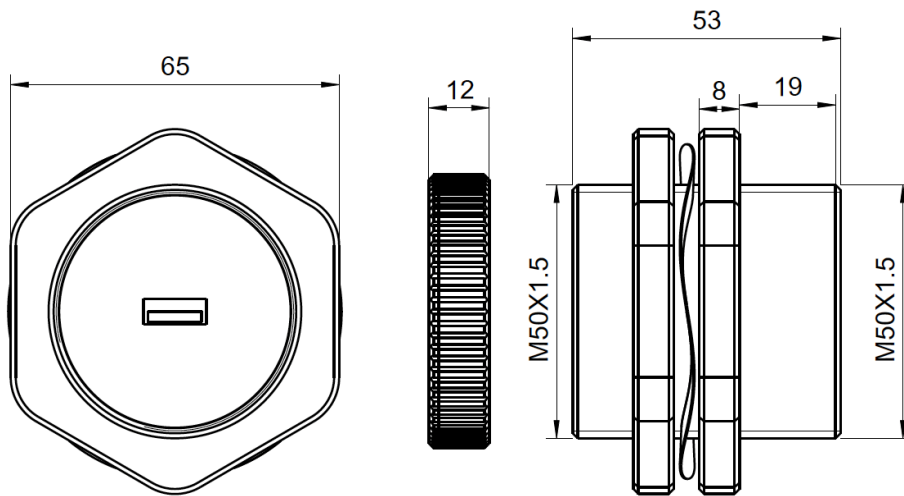


DATASHEET (SIGNAL LINE EMI FILTER, TFC-USB3L)

1. Type: TFC-USB3L (Version: V1.0)

2. Application: Designed for use on the shielding cabinet or shielding room to meet the transfer speed of USB3.0 while the shielding effectiveness is ensured. To have the best transfer speed, the appropriate integrated cable length should be selected and to minimize the number of interfaces between the USB3.0 filter and the USB device.

3. Dimensions (mm):



**General tolerances according to ISO 2768-cl
Dimensions in mm**

Fixing Nut: M50

Tightening torque: 30 ± 1.5 Nm

4. Technical Data:

- ① Signal type: USB3.0
- ② Signal interface: USB3.0-A, female
- ③ Installation method: Screw Nut, M50

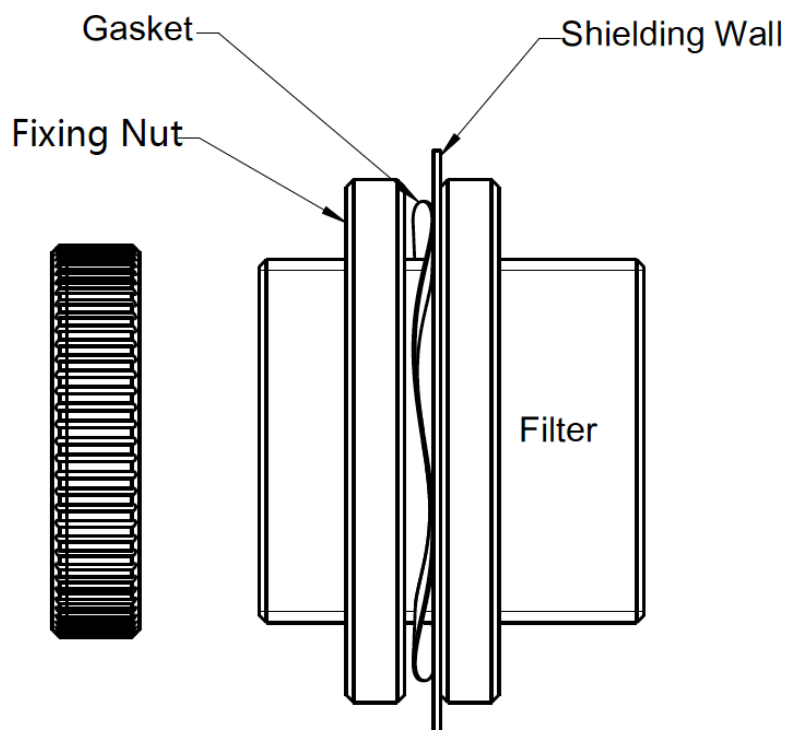
Typical Shielding Effectiveness: (Not Connected)

Frequency (Hz)	14K	100K	200K	450M	950M	3G	6G	10G
// (dB)	70	101	110	120	119	104	101	101
⊥ (dB)	72	102	112	125	132	108	103	105

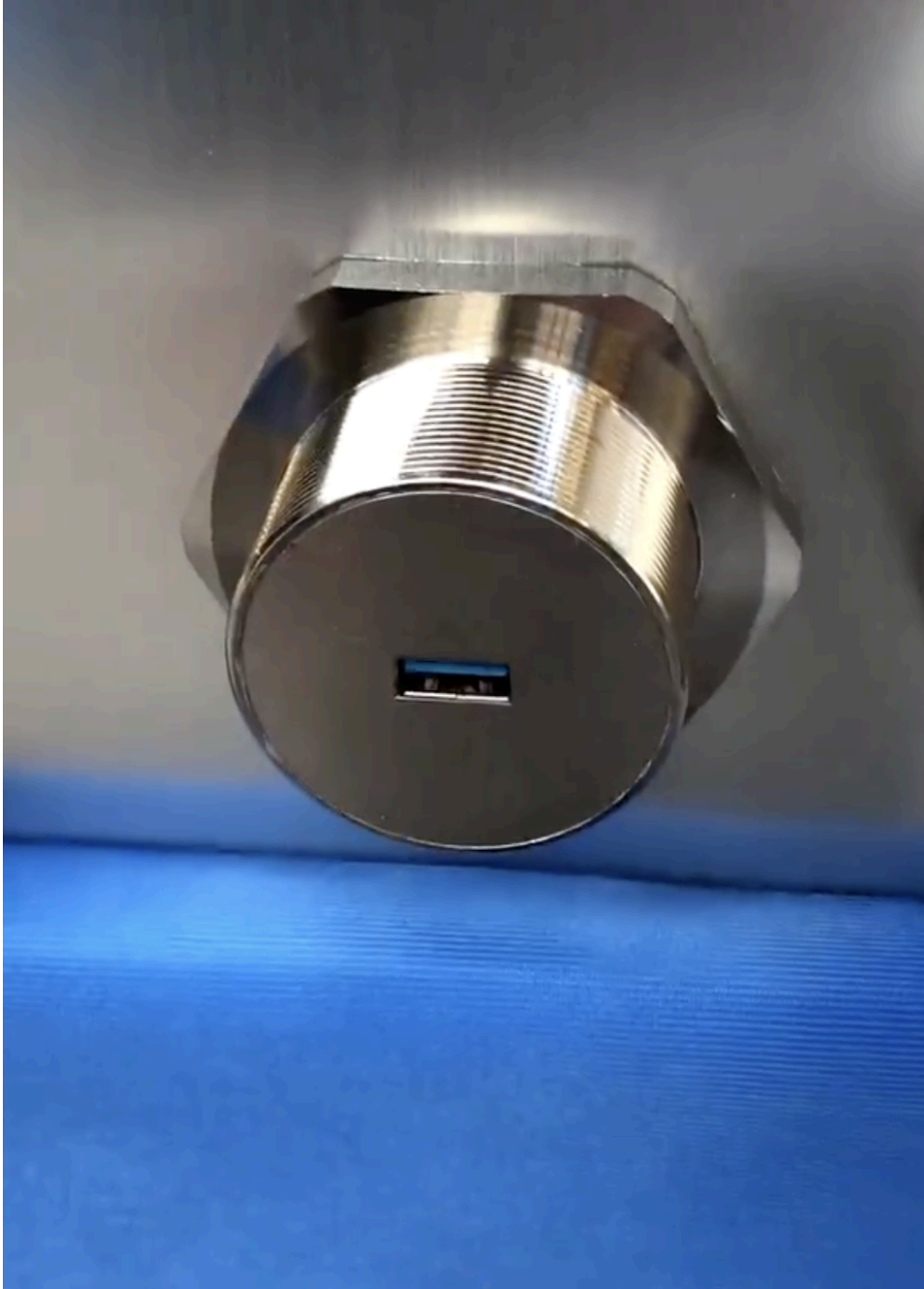
5. Assembly Parts :

- ① Screw Nut: M50x1.5: 1pc
- ② Gasket: D50: 1pc
- ③ Nut Cap: M50x1.5: 1pc
- ④ Certificate: 1 pc

6. Installation Diagram :



7. Sample Photo :



Above photo is a sample illustration of the front view of the filter after installation. The installation surface might look differ depending on the enclosure.