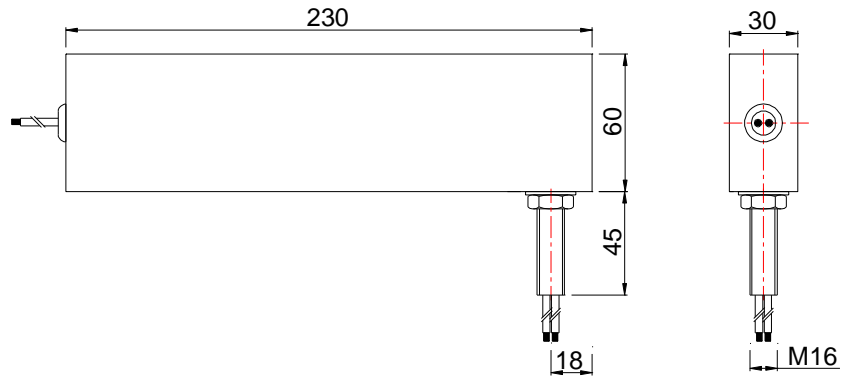


Signal Line EMI Filter

1. Type: TSF210-1/A2

2. Dimensions: (mm)



3. Technical Data:

- ① Rated Voltage: 250VAC ② Pass Band: 0-100kHz
- ③ Rated Current: 1A
- ④ Shielding Effectiveness: 100dB, 14kHz-40GHz
- ⑤ Climatic Category: 25/085/21

4. Accessory Parts:

- ① M16 Conduit Screw: 1pc ② Gasket 16: 1pc
- ③ M16 Screw Nut: 1pc ④ EMI Gasket 16: 1pc
- ⑤ Certificate: 1pc

5. Installation Sketch:

