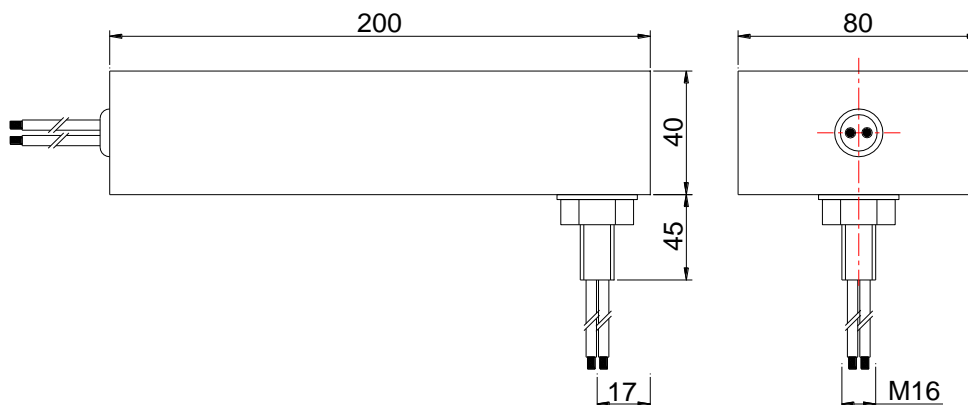


Signal Line EMI Filter

1. Type: TSF403-1

2. Dimensions: (mm) Net Weight 1.5kg



3. Technical Data:

- ① Rated Voltage: 250VDC ② Pass Band: 0-6MHz
- ③ Rated Current: 1A ④ Shielding Effectiveness: 100dB, 14kHz-40GHz
- ⑤ Climatic Category: 25/070/21

4. Assembly Parts:
- ① M16 Conduit screw: 1pc ② Gasket 16: 1pc
 - ③ M16 Screw Nut: 1pc ④ EMI Gasket 16: 1pc
 - ⑤ Certificate: 1pc

5. Installation Diagram:

